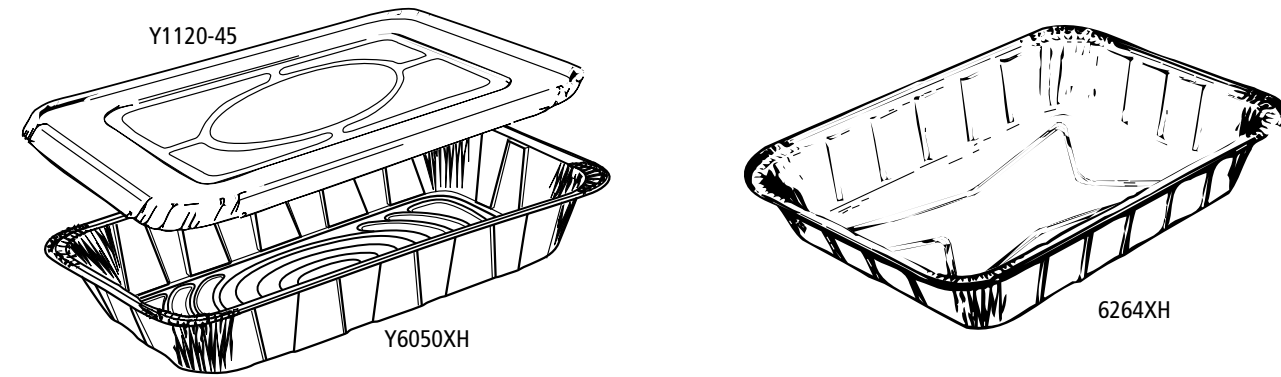
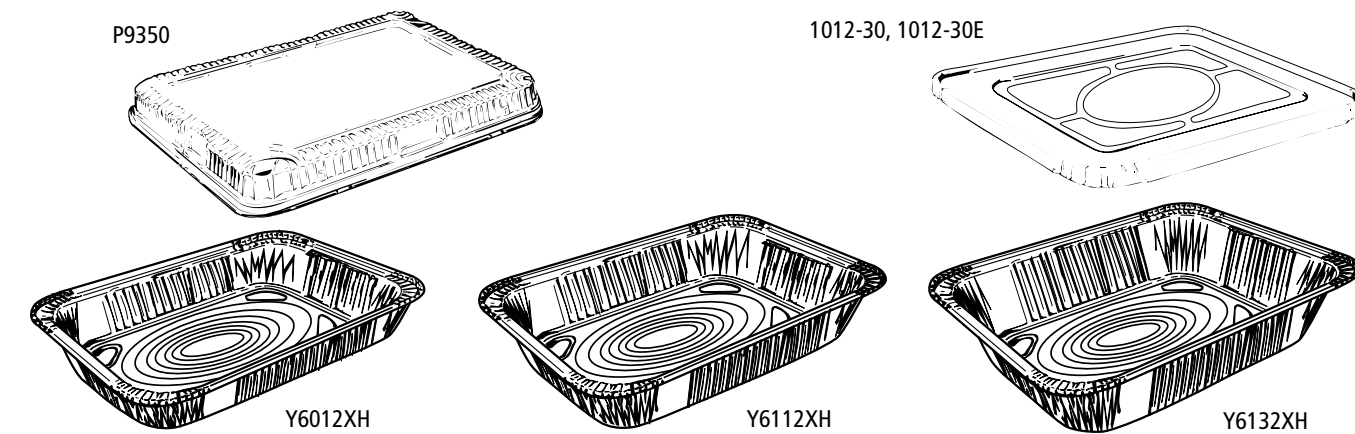


Aluminum Steam Tables — Full Size



Aluminum Steam Tables — Half Size



Reynolds® Aluminum Foil Rolls

Standard Aluminum Foil



Extra Heavy-Duty Aluminum Foil



Heavy-Duty Aluminum Foil



Recycled Aluminum Foil



Aluminum Steam Tables — Full Size

Product Number	Description	Capacity (fl. oz.)	Dimensions (in inches)			Vert. Depth	Case Cube	Case Weight	Rim Style	Case Pack	Cases/ Unit Load
			Top Out	Top In	Bottom						
Y6110XH	Full Size Pan - Shallow	174.7	20 3/4 x 12 13/16	19 9/16 x 11 5/8	18 3/8 x 10 11/16	1 11/16	1.60	10.95	F.C.	40	40
Y6120XH	Full Size Pan - Medium	228.0	20 3/4 x 12 13/16	19 9/16 x 11 5/8	18 3/8 x 10	2 3/16	1.82	11.79	F.C.	40	32
Y6050XH	Full Size Pan - Deep	346.0	20 3/4 x 12 13/16	19 9/16 x 11 5/8	17 19/32 x 9 21/32	3 3/8	1.81	13.30	F.C.	40	32
Y6050XXH	Full Size Pan - Deep	346.0	20 3/4 x 12 13/16	19 9/16 x 11 5/8	17 19/32 x 9 21/32	3 3/8	1.94	15.24	F.C.	40	24
Y1120-45	Metal Cover for 6050, 6120 & 6110	--	20 13/16 x 12 7/8	20 5/16 x 12 3/8	17 13/32 x 9 15/32	5/8	1.39	11.52	I.V.C.F.	80	30
6264XH*	Bulk Food Pan	173.0	14 1/2 x 10 5/8	13 1/2 x 9 5/8	12 3/16 x 8 7/16	2 15/16	2.39	14.53	F.C.	100	

Aluminum Steam Tables — Half Size

Product Number	Description	Capacity (fl. oz.)	Dimensions (in inches)			Vert. Depth	Case Cube	Case Weight	Rim Style	Case Pack	Cases/ Unit Load
			Top Out	Top In	Bottom						
Y6012XH	Half Size Pan - Shallow	79.5	12 3/4 x 10 3/8	11 3/4 x 9 3/8	10 13/16 x 8 7/16	1 11/16	1.95	9.12	V.C.	100	32
Y6112H	Half Size Pan - Medium	104.0	12 3/4 x 10 3/8	11 3/4 x 9 3/8	10 1/2 x 8 1/8	2 3/16	2.01	9.98	V.C.	100	32
Y6112XH	Half Size Pan - Medium/Heavy	104.0	12 3/4 x 10 3/8	11 3/4 x 9 3/8	10 1/2 x 8 1/8	2 3/16	2.01	10.44	V.C.	100	32
Y6112XHE	Half Size Pan - Medium Protective Coated Inside	104.0	12 3/4 x 10 3/8	11 3/4 x 9 3/8	10 1/2 x 8 1/8	2 3/16	2.01	10.76	V.C.	100	32
Y6132L	Half Size Pan - Deep	120.0	12 3/4 x 10 3/8	11 3/4 x 9 3/8	10 1/4 x 7 7/8	2 9/16	2.01	9.45	V.C.	100	32
Y6132H	Half Size Pan - Deep	120.0	12 3/4 x 10 3/8	11 3/4 x 9 3/8	10 1/4 x 7 7/8	2 9/16	2.01	10.41	F.C.	100	32
Y6132XH	Half Size Pan - Deep	120.0	12 3/4 x 10 3/8	11 3/4 x 9 3/8	10 1/4 x 7 7/8	2 9/16	2.01	10.89	F.C.	100	32
Y6132XHE	Half Size Pan - Deep Protective Coated Inside	120.0	12 3/4 x 10 3/8	11 3/4 x 9 3/8	10 1/4 x 7 7/8	2 9/16	2.01	11.23	F.C.	100	32
6342-60	Half Size Pan - Extra Deep	187.0	12 3/4 x 10 3/8	11 3/4 x 9 3/8	9 1/2 x 7 1/8	4 3/16	2.94	20.16	R.F.C.		
P9350	Clear Cover for Half Size Pans	--	13 1/8 x 10 3/4	12 7/8 x 10 1/2	11 3/4 x 9 3/8	3/4	3.49	9.00	--		
1012-30	Metal Cover Half Size for 6112, 6132 & 6342	--	12 13/16 x 10 7/16	12 5/16 x 9 15/16	10 1/16 x 7 23/32	5/8	0.92	5.76	I.V.C.		
1012-30E	Metal Cover Coated for 6112, 6132 & 6342	--	12 13/16 x 10 7/16	12 5/16 x 9 15/16	10 1/16 x 7 23/32	5/8	0.92	5.84	I.V.C.		

Reynolds® Aluminum Foil Rolls

Product Number	Dimensions	Cube	Case Weight	Cases Per Layer	Layers Per Skid	Cases Per Skid	Rolls Per Case	Cases/ Unit Load
Standard Aluminum Foil								
610P*	12" x 500'		3.53	8	31	248		
611	12" x 1000'	0.15	9.34	27	8	216	1	216
613	15" x 1000'	0.23	11.78	20	7	140	1	140
614	18" x 500'	0.23	7.44	20	8	160	1	160
615	18" x 1000'	0.24	13.90	20	8	160	1	160
Heavy-Duty Aluminum Foil								
620	12" x 500'	0.16	7.02	27	8	216	1	216
622	15" x 500'	0.23	8.88	20	7	140	1	140
624	18" x 500'	0.23	10.41	20	8	160	1	160
625	18" x 1000'	0.29	19.99	18	7	126	1	126
627	24" x 1000'	0.36	26.80	12	6	72	1	72
Extra Heavy-Duty Aluminum Foil								
632	18" x 500'	0.27	15.65	18	7	126	1	126
633	24" x 500'	0.36	21.02	12	6	72	1	72
Convenience Size Foil Rolls								
650C	12" x 250' - Standard	0.79	7.90	16	7	112	35	112
667C	18" x 50' - Heavy-Duty	0.78	23.60	20	3	60	20	60
Aluminum Foil From 100% Recycled Aluminum								
624R	18" x 500' - Heavy-Duty	0.23	10.41	20	8	160	1	160
Non-Stick Foil								
694	18" x 350'	0.23	7.86	20	8	160	1	160

*Item may not be available in all regions. Please contact your Pactiv sales representative for order minimum and lead time.

Reynolds® Aluminum Interfolded Sheets



Reynolds® Aluminum Interfolded Sheets

Product Number	Dimensions	Color	Sheets Per Box	Boxes Per Case	Case Cube	Case Weight	Cases Per Layer	Layers Per Skid	Cases/ Unit Load
Interfolded Sheets - Self Dispensing Box									
701	8" x 10 3/4"	Plain	500	6	0.62	14.10	16	6	96
710	9" x 10 3/4"	Plain	200	12	1.07	13.80	10	6	60
711	9" x 10 3/4"	Plain	500	6	0.68	15.90	16	6	96
712	9" x 10 3/4"	Gold	200	12	1.16	14.30	10	6	60
720	12" x 10 3/4"	Plain	200	12	1.39	22.20	10	6	60
721	12" x 10 3/4"	Plain	500	6	1.10	26.00	12	6	72
Striped Interfolded Sheets									
726FS	9" x 10 3/4"	Red Stripe	500	6	0.69	16.00	16	6	96
727	9" x 10 3/4"	Long Green Stripe	3000	6		14.22	16	6	96
728	9" x 10 3/4"	Blue Cross Hatch	3000	6		14.22	16	6	96
Aluminum Foil Interfolded Sheets From 100% Recycled Aluminum									
721R	12" x 10 3/4"	Plain	500	6	1.10	26.00	12	6	72

Reynolds® Metro Line™ Aluminum Foil Rolls

Metro Line™ Aluminum Foil - Standard

Metro Line™ Aluminum Foil - Heavy duty



Reynolds® Metro Line™ Aluminum Foil Rolls

Product Number	Description	Case Cube	Case Weight	Cases Per Layer	Layers Per Skid	Cases Per Skid	Rolls Per Case	Cases/ Unit Load
Metro Line™ Foil - Standard								
610M	12" x 500'		3.53	8	31	248		
611M	12" x 1000'	0.15	8.51	27	8	216	1	216
614M	18" x 500'	0.23	6.81	20	8	160	1	160
615M	18" x 1000'	0.24	13.90	20	8	160	1	160
Metro Line™ Foil - Heavy Duty								
624M	18" x 500'	0.23	9.46	20	8	160	1	160
625M	18" x 1000'	0.29	18.08	18	7	126	1	126

Reynolds® Metro Line™ Interfolded Sheets



Reynolds® Metro Line™ Interfolded Sheets

Product Number	Dimensions	Color	Sheets Per Box	Boxes Per Case	Case Cube	Case Weight	Cases Per Layer	Layers Per Skid	Cases/ Unit Load
720M	12" x 10 3/4"	Plain	200	12	1.39	18.86	13	6	78
721M	12" x 10 3/4"	Plain	500	6	1.10	21.83	12	6	72

Reynolds® Metro Line™ Interfolded Sheets



Reynolds® Metro Line™ Interfolded Sheets

Product Number	Dimensions	Color	Sheets Per Box	Boxes Per Case	Case Cube	Case Weight	Cases Per Layer	Layers Per Skid	Cases/ Unit Load
7511	10 1/2" x 13"	Goldline Sandwich Wraps	2,500	1	21.00	11	7	77	
7512	10 1/2" x 13"	Redline Sandwich Wraps	2,500	1	21.00	11	7	77	
7513	10 1/2" x 13"	BlueLine Sandwich Wraps	2,500	1	21.00	11	7	77	
7523	10 1/2" x 13"	Plain Sandwich Wraps	2,500	1	21.00	11	7	77	
7524	14" x 10 1/2"	Plain Sandwich Wraps	2,500	1	22.00	10	7	70	
7528	10 1/2" x 14"	Hamburger Sandwich Wraps	2,500	1	22.00	10	7	70	
7529	10 1/2" x 14"	Cheeseburger Sandwich Wraps	2,500	1	22.00	10	7	70	
7534	14" x 16"	Plain Sandwich Wraps	1,000	1	14.00	9	13	117	
7535*	10 1/2" x 14"	Cushion Fold Sandwich Wraps Combo	2,500	1	22.00	10	7	70	
W80*	12" x 12"	Unprinted Cushion Fold Sandwich Wraps	2,500	1	21.50	12	5	60	
7012*	12" x 12"	Unprinted Cushion Fold Sandwich Wraps	2,500	1	21.66	9	7	63	
7046*	9" x 10 3/4"	All Purpose Gauge Sandwich Wraps	6	1	14.22	16	6	96	

*Item may not be available in all regions. Please contact your Pactiv sales representative for order minimum and lead time.

Reynolds® Foodservice Film

Continuous Length Rolls



Easy Glide™ Slide Cutter



Metro Line™



Cutter Gard® Grit Edge



Reynolds® Foodservice Film



Reynolds® Foodservice Film

Product Number	Dimensions	Cube	Case Weight	Cases Per Layer	Layers Per Skid	Cases Per Skid	Rolls Per Carton	Cases/ Unit Load
Continuous Length Rolls								
900	12" x 1000'	0.27	3.40	56	6	336	1	336
910	12" x 2000'	0.27	5.80	56	6	336	1	336
905	12" x 3000'	0.27	8.20	56	6	336	1	336
912BRF	15" x 2000'	0.33	7.10	56	4	224	1	224
904	18" x 1000'	0.39	5.00	56	4	224	1	224
914	18" x 2000'	0.39	8.50	56	4	224	1	224
915	18" x 3000'	0.39	12.10	56	4	224	1	224
916	24" x 2000'	0.50	11.30	56	2	112	1	112
Easy Glide™ Slide Cutter								
910SC	12" x 2000'	0.27	5.80	56	6	336	1	336
914SC	18" x 2000'	0.39	8.20	56	4	224	1	224
916SC	24" x 2000'	0.59	10.70	56	2	112	1	112
Cutter Gard® Grit Edge								
910CG	12" x 2000'	0.27	5.80	56	6	336	1	336
914CG	18" x 2000'	0.39	8.20	56	4	224	1	224
Metro Line™								
910M	12" x 2000'	0.27	5.40	56	6	336	1	336
914M	18" x 2000'	0.39	7.70	56	4	224	1	224
916M	24" x 2000'	0.59	9.90	56	2	112	1	112
Metro Line™ Easy Glide™ Slide Cutter								
910MSC	12" x 2000'	0.27	5.40	56	6	336	1	336
914MSC	18" x 2000'	0.39	7.70	56	6	336	1	336
Pacer® Foodservice Film (1 Mile of Film)								
996	12" x 5280'	0.80	16.80	20	4	80	1	80
997	18" x 5280'	1.10	25.30	20	4	80	1	80

Please contact Reynolds customer service for information regarding dispensers

Reynolds® Foodservice Film

Number	Sheets Per Dimensions	Cube	Rolls Weight	Cases/ Per Layer	Per Skid	Per Skid	Carton	Per Carton	Unit Load
Pre-Sized Sheets-on-a-Roll									
920	6" x 5"	0.10	3.00	72	8	576	3000	1	576
924	9" x 9"	0.20	4.00	72	6	432	2100	1	432
926	10" x 10"	0.20	5.00	72	6	432	1900	1	432
930	12" x 12"	0.20	6.00	72	6	432	1600	1	432
937	14" x 14"	0.30	6.00	72	4	288	1200	1	288
954	15" x 15"	0.30	6.00	72	4	288	1100	1	288
939	24" x 18"	0.40	8.00	72	2	144	700	1	144
Product Number	Dimensions	Cube	Case Weight	Cases Per Layer	Layers Per Skid	Cases Per Skid	Sheets Per Roll	Rolls Per Carton	Cases/ Unit Load
Oven Cooking Bags									
964	19" x 23 1/2"	0.30	5.00	16	12	192	150	1	192